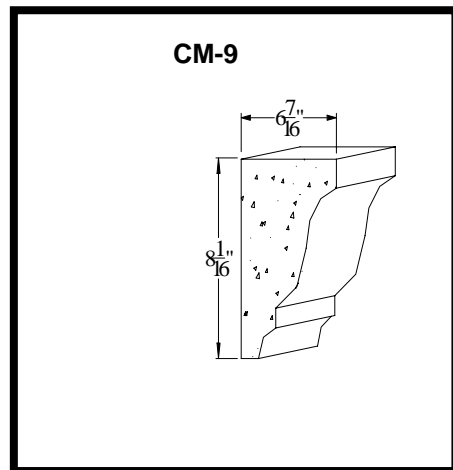
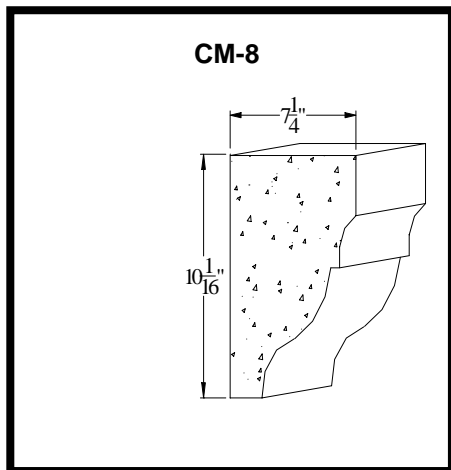
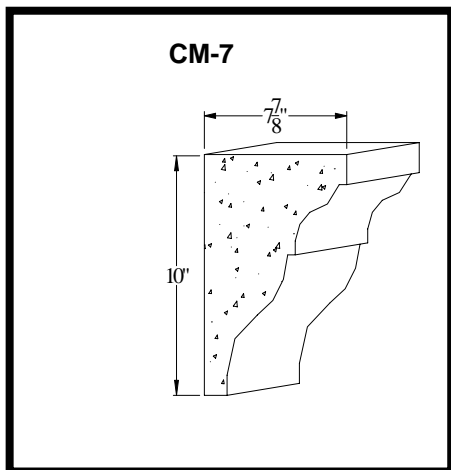
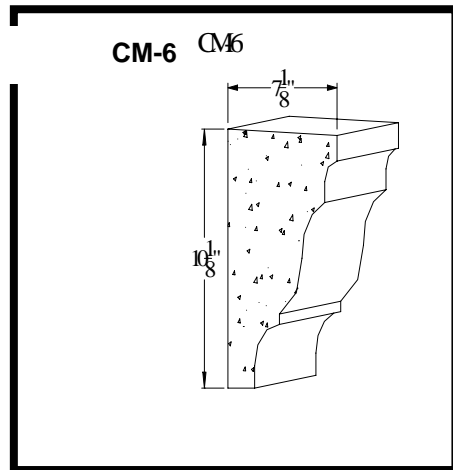
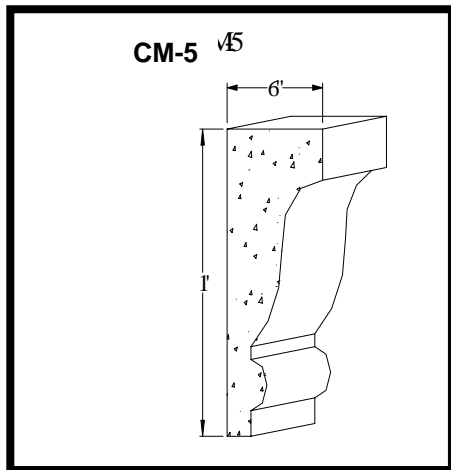
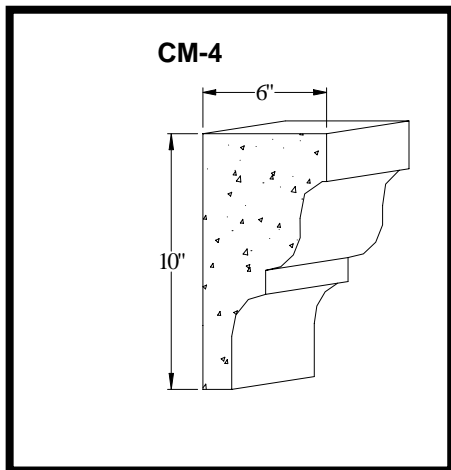
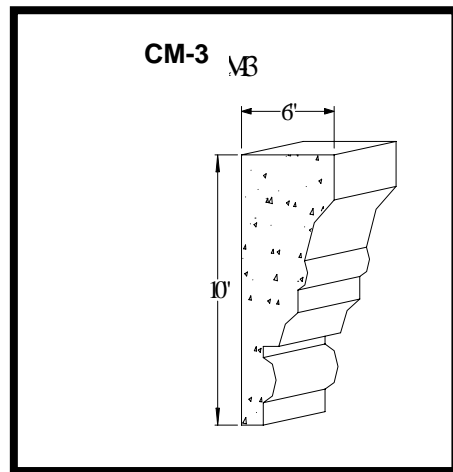
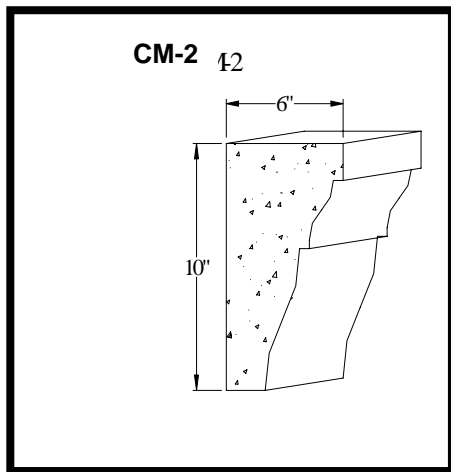
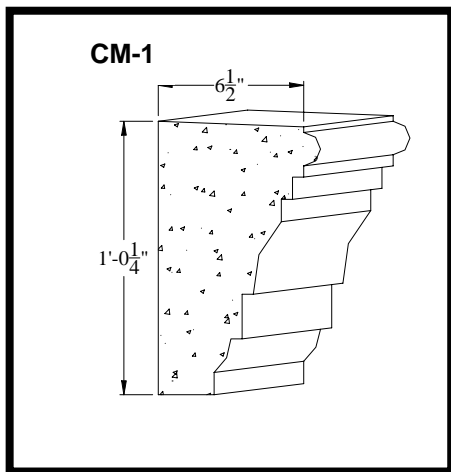


# CROWN MOLDING -Details CRN-1



**D&J** Architectural Precast

*Design, Manufacture, and Install*

3517 Dora Street • Fort Myers, FL. • Ph: (239) 461-5387 • Fax: (239) 461-8701 • Visit us at [www.diap.net](http://www.diap.net)