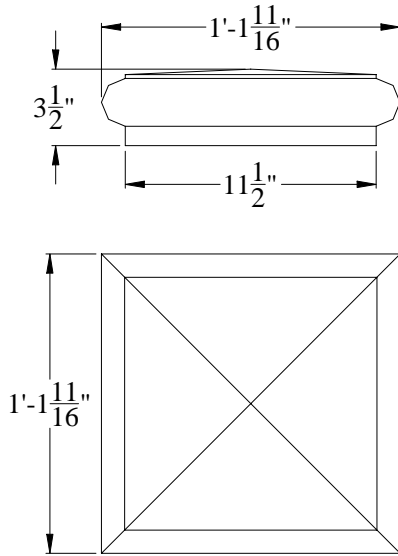
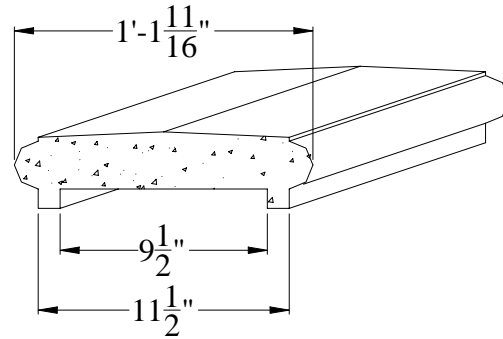


# PIER/WALL CAPS – (Details PWC-5)

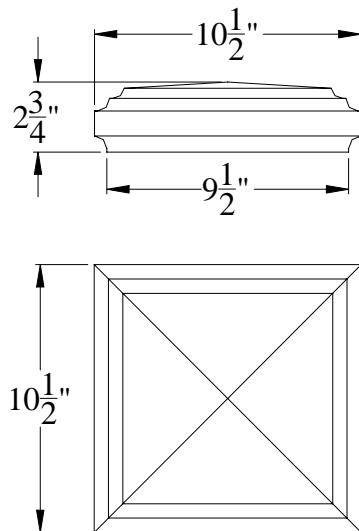
PC-8



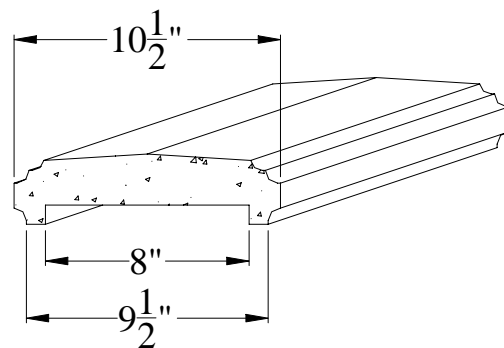
WC-8



PC-9



WC-9



**D&J** Architectural Precast