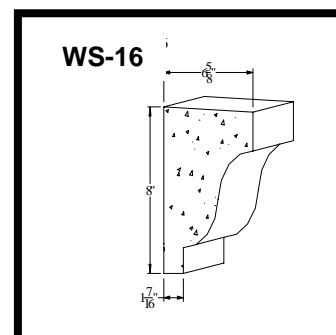
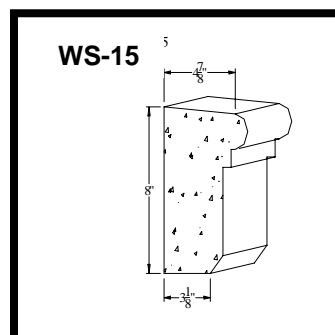
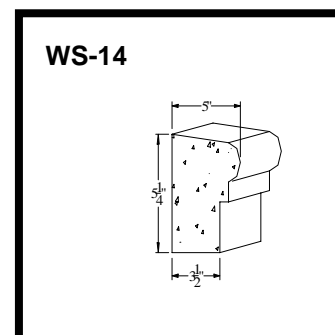
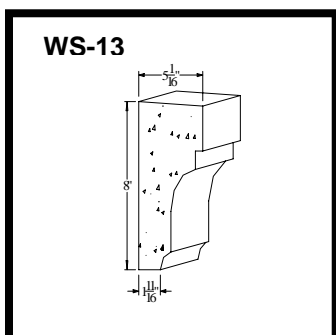
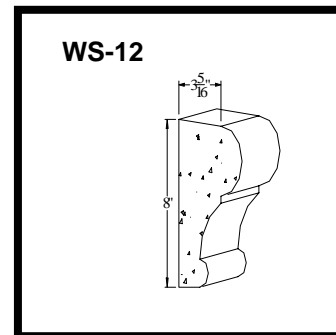
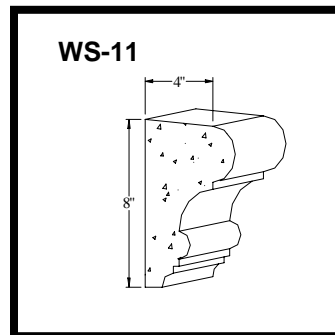
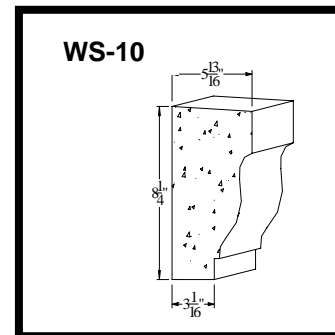
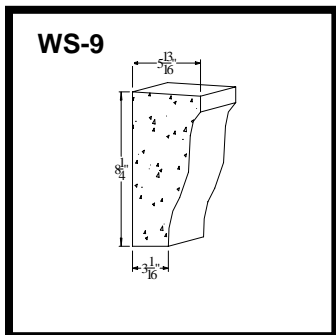
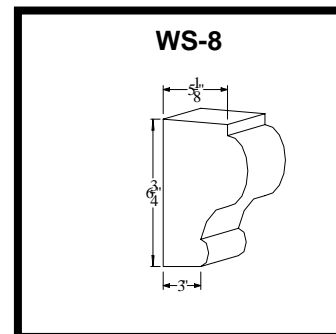
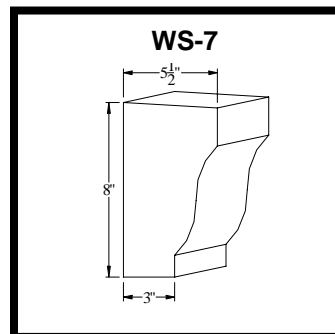
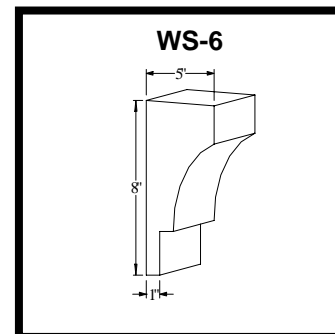
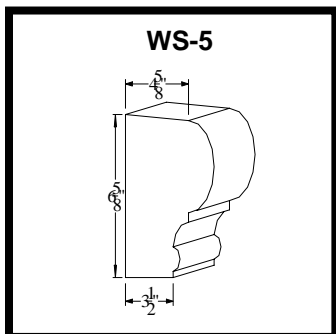
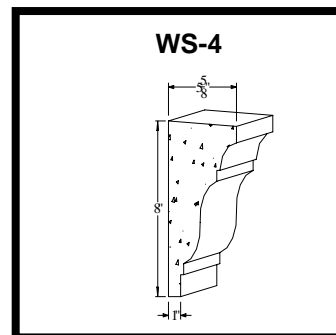
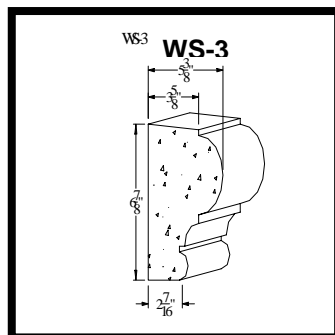
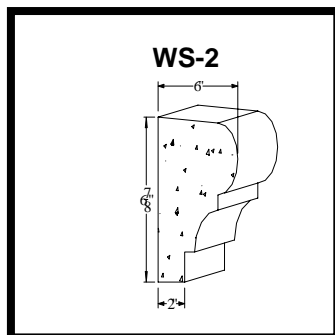
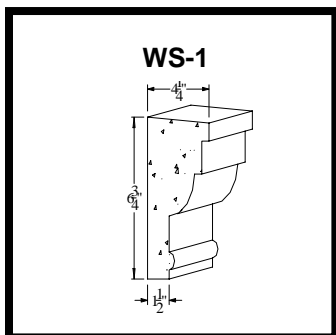


WINDOW SILLS – (Details WS-1 thru WS-16)



D&J Architectural Precast